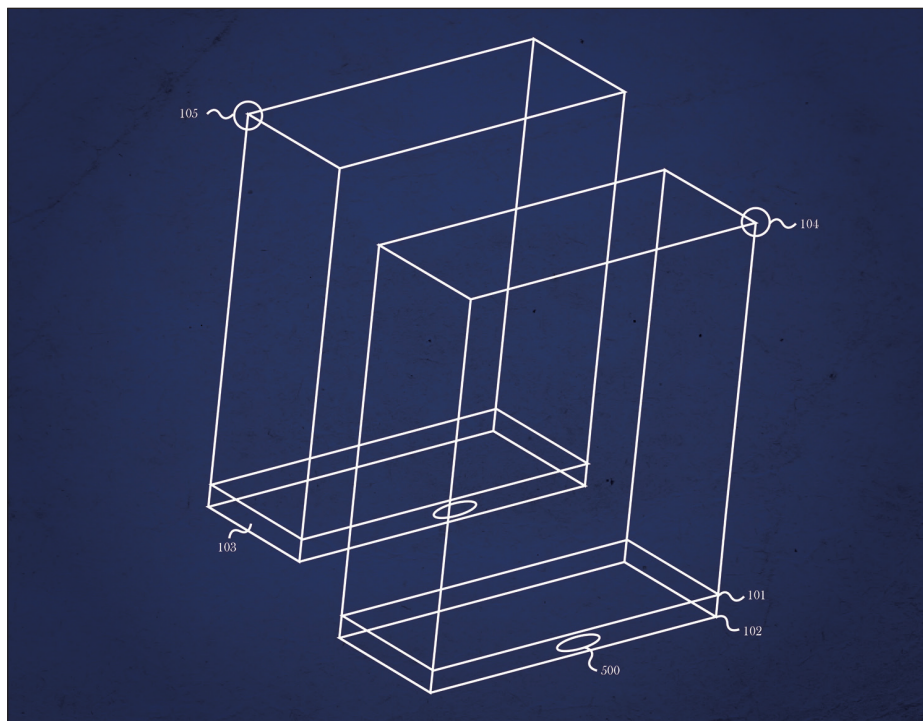


22ND ANNUAL
**ADVANCED PATENT LAW
INSTITUTE**



November 2–3, 2017
Four Seasons Hotel ■ Austin, Texas

 Live Webcast November 2–3

PREMIER SPONSOR



Earn up to 14.75 Hours of Credit Including 3.25 Hours of Ethics Credit

22ND ANNUAL
ADVANCED PATENT LAW INSTITUTE
November 2–3, 2017 ■ Four Seasons Hotel ■ Austin, Texas

Earn up to 14.75 Hours of Credit Including 3.25 Hours of Ethics Credit

THURSDAY MORNING, NOV. 2, 2017

Presiding Officer:

Michael P. Adams, Jackson Walker LLP,
Austin, TX

7:30 a.m. Registration Opens

Includes continental breakfast.

8:20 a.m. Welcoming Remarks

8:30 a.m. 1.00 hr

Year in Review: Key Federal Circuit and U.S. Supreme Court Decisions

A summary of the most significant Supreme Court and Federal Circuit decisions of the past year.

Mark A. Lemley, Stanford Law School and Durie
Tangri LLP, Stanford and San Francisco, CA

9:30 a.m. .75 hr

Recent Developments in Claims Construction

Claim construction continues to be the axis about which patent preparation/prosecution, trials, appeals, and AIA post grant review proceedings all revolve. Hear the latest Federal Circuit and trial court claim construction cases, and the PTAB's claim construction "rules, practices and so-forth," including revived *O2 Micro* issues and latest Dell/SAS and APA restrictions.

Kenneth R. Adamo, Kirkland & Ellis LLP, Chicago, IL

10:15 a.m. Break

10:30 a.m. .50 hr

Section 101 Update

The courts and the USPTO continue to apply *Alice* in determining whether a patent contains eligible subject matter. Review recent decisions and developments involving eligibility and any lessons to be learned.

Steve Borgman, Vinson & Elkins LLP, Houston, TX

11:00 a.m. .50 hr

Design Patents: In Anticipation of Functionality

Anticipation and functionality are two of the most shrouded and misunderstood areas of design patent law. This presentation unpacks these two areas, providing ample ammunition for overcoming rejections and countering defenses.

Perry Saidman, Saidman DesignLaw Group, LLC,
Silver Spring, MD

11:30 a.m. .75 hr

Patent Litigation Around the World: Canada, China, and Germany

Explore the good, the bad and the ugly of patent litigation jurisdictions that are growing in popularity, including Canada, China, and Germany.

Kevin Kudlac, Greenberg Traurig, LLP, Austin, TX

12:15 p.m. Pick Up Lunch

Included in registration.

THURSDAY AFTERNOON

Presiding Officer:

James J. Nawrocki, IPFC Corp.,
Houston, TX

THANK YOU TO OUR SPONSOR

BAKER BOTTS

LUNCHEON PRESENTATION

12:35 p.m. .50 hr ethics

Emerging Technologies: Law and Regulation

Discuss emerging technologies—artificial intelligence, internet of things, and 3D printing—and their impact on the legal landscape.

Hilda C. Galvan, Jones Day, Dallas, TX

1:05 p.m. Break

1:20 p.m. 1.00 hr

Patenting in the Life Sciences: Prosecution Issues, Key Cases, and Hot Topics

Hear updates on the USPTO's position on Section 101 and relevant case law decisions, and take a tour of the recent CRISPR patent wars.

Ana C. Ward, Rosetta Genomics, Austin, TX

2:20 p.m. .50 hr

Patent Portfolio Strategies

Changes in legislation, case law, and administrative procedures, coupled with broader societal changes such as globalization and the shift to information-based technologies, are profoundly impacting the ways in which patents are exploited and valued as business assets. Strategies for acquiring, managing, and asserting patent portfolios are discussed in light of these influences.

Steven H. Slater, Slater Matsil, LLP, Dallas, TX

2:50 p.m. .50 hr

Infringement Remedies

Remedies for infringement are in play. Damages law continues to evolve, including whether or when transactions, sales or uses abroad can be recovered for U.S. patents. *Halo* changed the law on enhanced damages, but the results in the district courts and the Federal Circuit. The record of cases since *Octane Fitness* show attorneys' fee awards are becoming bigger and more common. Damages law post-*VirnetX* and post-*D-Link* continues to develop in patent cases. Equitable remedies and administrative remedies (exclusion orders) are examined.

Danielle Joy "DJ" Healey, Fish & Richardson P.C.,
Houston, TX

3:20 p.m. Break

3:30 p.m. .50 hr

Defending Against Allegations of Willful Infringement Post-*Halo*

A discussion on the various strategies to consider in defending against allegations of willful infringement since the *Halo* decision.

Christa Brown-Sanford, Baker Botts, Dallas, TX

4:00 p.m. .50 hr

Standard Essential Patents and FRAND Royalties

With SEPs and FRAND commitments remaining critical in the high-tech sectors, several recent district court and Trade Commission actions centered on the valuing and enforcing of FRAND commitments and royalties. Hear what that means to SEP holders and standard users.

John R. Keville, Winston & Strawn LLP, Houston, TX

**M
C
L
E**

This course has been approved for Minimum Continuing Legal Education credit by the State Bar of Texas Committee on MCLE in the amount of 14.75 hours, of which 3.25 credit hours will apply to legal ethics/professional responsibility credit. The University of Texas School of Law is a State Bar of California approved MCLE provider (#1944), and an Oklahoma Bar Association MCLE presumptively-approved provider (#179).

4:30 p.m. 1.00 hr | .50 hr ethics

Judicial Panel

Hear distinguished judges from the District Court discuss their experiences hearing and trying patent cases.

Moderator:

Alan D Albright, Bracewell, Austin, TX

Panelists:

Hon. Cathy Ann Bencivengo, U.S. District Court, Southern District of California, San Diego, CA
Hon. Mitchell S. Goldberg, U.S. District Court, Eastern District of Pennsylvania, Philadelphia, PA
Hon. Robert W. Schroeder III, U.S. District Court, Eastern District of Texas, Texarkana, TX

5:30 p.m. Adjourn

NETWORKING RECEPTION

5:30 p.m. – 6:30 p.m.

Join us for drinks and hors d'oeuvres with program faculty and attendees.

THANK YOU TO OUR SPONSOR



Established 1917

FRIDAY MORNING, NOV. 3, 2017

Presiding Officer:

Shirley Webster, Ocean Tomo, LLC, Houston, TX

7:30 a.m. Conference Room Opens

Includes continental breakfast.

BREAKFAST PRESENTATION

8:00 a.m. .75 hr ethics

Women in IP Friday Breakfast Presentation: Ethical Considerations of Career Transitions

A discussion on the ethical considerations involved in making transitions between professional avenues including private practice, in-house counsel, and government roles.

Moderator:

Elise Selinger, Conley Rose, PC, Plano, TX

Panelists:

Hon. Avelyn M. Ross, U.S. Patent and Trademark Office, Texas Regional Office, Dallas, TX
Betty Ellsworth Ungerman, Lennox International Inc., Richardson, TX

8:45 a.m. Break

9:00 a.m. .50 hr

Patent Prosecution Tips and Traps

Drawing upon several "traps" observed in litigation or IPR practice, this presentation discusses patent prosecution tactics with an eye toward eventual assertion.

Stephen A. Mason, Michael Best, Austin, TX

9:30 a.m. .50 hr

The PTAB: Five Years Later

We have come a long way since the start of the PTAB on September 16, 2012. Hear how the PTAB has significantly impacted the patent holder, challengers, and the courts, with some focus on changes within the PTAB itself and discussion of the possible directions for its continuing evolution.

Hon. Teresa Stanek Rea, Crowell & Moring, LLP, Washington, DC

10:00 a.m. .50 hr

ITC Update: Hot Topics and Trends

Stay up-to-date about the latest trends and issues at the ITC, including subject matter patent invalidity under Section 101, antitrust, importation, and domestic industry.

Veronica Ascarrunz, Wilson Sonsini Goodrich & Rosati, P.C., Washington, DC

10:30 a.m. Break

10:45 a.m. .50 hr ethics

Recent Developments in Attorney-Client Privilege and Work Product in Patent Litigation

Explore two recent developments in attorney-client privilege and work product in patent litigation. As more plaintiffs use litigation funding as a means to pursue their claims, case law is developing as to the discoverability of communications with the litigation funder. In addition, the Texas Supreme Court is considering whether communications with patent agents are protected under Texas law.

John B. Campbell, McKool Smith, Austin, TX

11:15 a.m. .50 hr

Strategies for Strengthening your PTAB Trial Record for Appeal

Learn how to provide substantial evidence support for factual findings, preserve error, and otherwise maximize your chances for success at the Federal Circuit.

Raghav Bajaj, Haynes and Boone, LLP, Austin, TX
J. Andrew Lowes, Haynes and Boone, LLP, Richardson, TX

11:45 a.m. .50 hr

IPR Case Studies: How Different Patents Survived IPR

An exploration of successful strategies patent owners use to preserve their patents during *inter partes* review.

Andrew Liddell, Norton Rose Fulbright, Austin, TX

12:15 p.m. Pick Up Lunch

Included in registration.

FRIDAY AFTERNOON

Presiding Officer:

William D. Wiese, DuBois, Bryant & Campbell, L.L.P., Austin, TX

THANK YOU TO OUR SPONSOR



LUNCHEON PRESENTATION

12:35 p.m. .75 hr

The Evolving Patent Valuation Landscape

The implementation of the America Invents Act, as well as judicial decisions over the past decade relating to injunctive relief, to apportionment for the value of the patented invention relative to implementing products as a whole, and to the effect of industry standards on valuation have sparked debate. From both an economic and a practical perspective, this panel discusses whether valuations appropriately recognize and encourage innovation considering the rising costs of enforcement.

Moderator:

Richard L. Wynne Jr., Thompson & Knight LLP, Dallas, TX

Panelists:

W. Christopher Bakewell, Duff and Phelps, LLC, Houston, TX
Robert H. Heath, RPX Corporation, San Francisco, CA
Jennifer B. Wuamett, NXP Semiconductors, Austin, TX

1:20 p.m. Break

ECONFERENCES

Experience conferences online and earn CLE credits – on your time.

Preorder eConferences and earn credit in Texas and California.

utcle.org/econferences

1:35 p.m. .75 hr

Patent Valuation and Due Diligence in Negotiation

In today's high-tech markets, developing technology or securing the rights to technology is an important part of launching successful products and services. Firms differentiate their products and services by developing or procuring unique technology/IP that they hope will provide their products and services with enhanced commercial value and/or a competitive advantage. Review the effect recent court decisions have had on the value of patents/technology, company valuation, licensing arrangements and fees, and patent strategies in various contexts and various transactions.

Keith E. Witek, Tesla Motors, Austin, TX
James D. Woods, Economic Analytics Consulting, LLC, Houston, TX

2:20 p.m. .50 hr

The "New" On-Sale Bar Under the AIA

Discuss the change of the on-sale bar rule under the AIA and the impact of the Federal Circuit's decision in *Helsinn Healthcare S.A. v. Teva Pharmaceuticals USA Inc.* regarding "secret" sales and offers for sale as prior art under Section 102 (post-AIA).

Ross Spencer Garsson, Dickinson Wright PLLC, Austin, TX

2:50 p.m. 1.00 hr ethics

Patent Prosecution and Malpractice

Understand conflicts of interest and other forms of liability and risk that can arise during patent prosecution, addressing recent cases, and potential means to reduce exposure.

David Hrick, Mercer University School of Law and Taylor English Duma LLP, Macon and Atlanta, GA

3:50 p.m. Adjourn

UPCOMING CONFERENCES

36TH ANNUAL JAY L. WESTBROOK BANKRUPTCY CONFERENCE
November 16-17, 2017

14TH BIENNIAL PARKER C. FIELDER OIL AND GAS TAX CONFERENCE
November 16-17, 2017

65TH ANNUAL TAXATION CONFERENCE
December 13-14, 2017

2017 STANLEY M. JOHANSON ESTATE PLANNING WORKSHOP
December 15, 2017

2018 RENEWABLE ENERGY LAW
January 29-30, 2018

13TH ANNUAL ADVANCED PATENT LAW INSTITUTE - USPTO
March 1-2, 2018

CONFERENCE FACULTY AND PLANNING COMMITTEE

HILDA C. GALVAN*—CO-CHAIR
Jones Day
Dallas, TX

DAVID W. O'BRIEN*—CO-CHAIR
Haynes and Boone, LLP
Austin, TX

KENNETH R. ADAMO
Kirkland & Ellis LLP
Chicago, IL

MICHAEL P. ADAMS*
Jackson Walker LLP
Austin, TX

TOM ADOLPH*
Adolph Locklar
Houston, TX

ALAN D ALBRIGHT*
Bracewell
Austin, TX

VERONICA ASCARRUNZ
Wilson Sonsini Goodrich & Rosati, P.C.
Washington, DC

RAGHAV BAJAJ
Haynes and Boone, LLP
Austin, TX

W. CHRISTOPHER BAKEWELL
Duff and Phelps, LLC
Houston, TX

MICHAEL C. BARRETT*
Cirrus Logic
Austin, TX

HON. CATHY ANN BENCIVENGO
U.S. District Court, Southern District of California
San Diego, CA

STEVE BORGMAN*
Vinson & Elkins LLP
Houston, TX

CHRISTA BROWN-SANFORD*
Baker Botts
Dallas, TX

JOHN B. CAMPBELL
McKool Smith
Austin, TX

TAMARA COPELAND*
Duff and Phelps, LLC
Houston, TX

THADDEUS J. FALESKI III*
Conley Rose, PC
Houston, TX

JOHN D. FLYNN*
IBM Corporation
Austin, TX

MARK THOMAS GARRETT*
Norton Rose Fulbright
Austin, TX

ROSS SPENCER GARSSON
Dickinson Wright PLLC
Austin, TX

HON. MITCHELL S. GOLDBERG
U.S. District Court,
Eastern District of Pennsylvania
Philadelphia, PA

JOHN M. GOLDEN*
The University of Texas School of Law
Austin, TX

DANIELLE JOY "DJ" HEALEY*
Fish & Richardson P.C.
Houston, TX

ROBERT H. HEATH
RPX Corporation
San Francisco, CA

DAVID HRICK
Mercer University School of Law
and Taylor English Duma LLP
Macon and Atlanta, GA

JOANNA JEFFERSON*
The University of Texas School of Law
Austin, TX

JOHN R. KEVILLE
Winston & Strawn LLP
Houston, TX

ROBERT L. KING*
Silicon Labs
Austin, TX

KEVIN KUDLAC*
Greenberg Traurig, LLP
Austin, TX

WILLIAM L. LAFUZE*
McKool Smith
Houston, TX

MARK A. LEMLEY*
Stanford Law School and Durie
Tangri LLP
Stanford and San Francisco, CA

ANDREW LIDDELL
Norton Rose Fulbright
Austin, TX

J. ANDREW LOWES
Haynes and Boone, LLP
Richardson, TX

STEPHEN A. MASON
Michael Best
Austin, TX

DAVID L. MCCOMBS*
Haynes and Boone, LLP
Dallas, TX

KEVIN J. MEEK*
Baker Botts
Austin, TX

ERIC L. NATINSKY*
Quick Technologies Inc.
Austin, TX

JAMES J. NAWROCKI*
IPFC Corp.
Houston, TX

HON. TERESA STANEK REA
Crowell & Moring, LLP
Washington, DC

HON. AVELYN M. ROSS
U.S. Patent and Trademark Office,
Texas Regional Office
Dallas, TX

PERRY SAIDMAN
Saidman DesignLaw Group, LLC
Silver Spring, MD

HON. ROBERT W. SCHROEDER III
U.S. District Court,
Eastern District of Texas
Texarkana, TX

MARK E. SCOTT*
Dickinson Wright
Austin, TX

ELISE SELINGER
Conley Rose, PC
Plano, TX

STEVEN H. SLATER
Slater Matsil, LLP
Dallas, TX

BETTY ELLSWORTH UNGERMAN
Lennox International Inc.
Richardson, TX

JOSÉ C. VILLARREAL*
Wilson Sonsini Goodrich & Rosati, P.C.
Austin, TX

ANA C. WARD*
Rosetta Genomics
Austin, TX

SHIRLEY WEBSTER*
Ocean Tomo, LLC
Houston, TX

WILLIAM D. WIESE*
DuBois, Bryant & Campbell, L.L.P.
Austin, TX

KEITH E. WITEK*
Tesla Motors
Austin, TX

JAMES D. WOODS*
Economic Analytics Consulting, LLC
Houston, TX

JENNIFER B. WUAMETT
NXP Semiconductors
Austin, TX

RICHARD L. WYNN JR.*
Thompson & Knight LLP
Dallas, TX

*Planning Committee member

HOW TO REGISTER

Online:
www.utcle.org/conferences/PT17

Mail:
The University of Texas
School of Law
Attn. CLE
PO Box 7759
Austin, TX 78713-7759

Fax:
512.475.6876

Questions? 512.475.6700

*Dietary requirements or Accessibility needs?
Call 512.475.6700 or email service@utcle.org*

REGISTRATION BENEFITS

Before the Conference: Access course materials—downloadable PDFs of papers and slides—and speaker and attendee roster in "Your Briefcase" 48 hours before the conference.

After the Conference: Unlimited access to final, complete course materials—downloadable PDFs of papers and slides—in "Your Briefcase."

eConference: Complimentary 1 year access to the eConference—with papers, slides, and audio—for CLE credit (TX and CA) you may have missed at the live conference. Available in "Your Briefcase" 6–8 weeks after the conference.

TX MCLE Credit Reporting: UT Law CLE can report credit on your behalf directly to the State Bar of Texas. Track your Texas MCLE credit claimed and reported through UT Law CLE in "Your Account."

Your Account: Activate "Your Account" online at www.utcle.org. Your UT Law CLE Account is created for you as a first-time conference registrant (mail and fax registrations) with the email address you provide.

ECONFERENCE AND COMPLETE CONFERENCE MATERIALS

eConference

Complete eConference package includes all conference materials for download from "Your Briefcase" at www.utcle.org.

Complete Conference Materials

Comprehensive Binder and Audio products from the live conference—for research and self-study. Available for download and shipping.

REGISTRATION FORM

PLEASE PRINT CLEARLY

PT17

Bar Card# _____ TX Other State: _____ N/A

Name [Mr. / Ms.] _____

Firm _____

Address _____

City _____ State _____ Zip _____

Telephone _____ Fax _____

Registrant's Email (required) _____

Assistant's Email (optional) _____

Invoices, confirmations, and receipts are emailed to these addresses.

REGISTRATION—Includes Electronic Course Materials, Thursday and Friday Luncheon Presentations, and Thursday Networking Reception

Special group registration rates available. Call 512.475.6700.

Select Registration Type

- Individual registration by October 25 \$695
 Individual registration after October 25 \$745

Printed course binder available for an additional fee through October 25

Conference registration includes Electronic Course Binder Download (PDF) in "Your Briefcase" at www.utcle.org.

- Printed Course Binder \$37.89
Price includes 8.25% Sales Tax
 Printed Course Binder for tax exempt registrants \$35
(e.g., government employees and nonprofits)

Live Webcast Registration

Includes Electronic Course Binder Download (PDF) in "Your Briefcase" at utcle.org.

- Individual registration \$645

ECONFERENCE—For Texas MCLE Credit

Complete eConference package includes all conference materials for download from "Your Briefcase" at www.utcle.org. Available 6–8 weeks after the live conference date.

- Individual eConference \$645
Call 512.475.6700 to register additional participants.

COMPLETE CONFERENCE MATERIALS[†]—For Research and Self-Study

Comprehensive Binder and Audio products from the live conference. Available for delivery 4–6 weeks after conference date. Shipping included.

- eBinder Download (PDF) \$225
 Printed Binder \$275
 Audio Download (MP3) \$175

[†]Texas customers—add 8.25% sales tax or include an Exemption Certificate \$ _____
Sales tax will be invoiced separately on taxable orders for which payment does not include tax.

TOTAL \$ _____

METHOD OF PAYMENT

- Check (make check payable to The University of Texas at Austin)
 VISA MasterCard American Express P.O.

Card / P.O. # _____ Exp. Date _____ / _____
 (mm/yy)

Authorized Signature _____

Visit

www.utcle.org

Email

service@utcle.org

Call

512.475.6700

Follow Us @UTLawCLE

AUSTIN

November 2–3, 2017

CONFERENCE LOCATION



Four Seasons Hotel

98 San Jacinto Blvd
Austin, TX

512.685.8100 (reservations)

Special Room Rates:

City View King: \$269; Lake View King: \$299
Room Rates good through October 2, 2017
(subject to availability)

Parking:

\$12 daily self-parking; \$16 valet
\$32.50 overnight self or valet
(subject to change)

KEY DATES

October 25, 2017

last day for early registration
add \$50 for registrations
received after this time

October 27, 2017

last day for cancellation (full refund)

October 30, 2017

last day for cancellation (partial refund)
\$50 processing fee applied

November 2, 2017, 8:20 a.m.

Institute begins

THANKS TO OUR SPONSORS

PREMIER SPONSOR

IPFC Corp

EVENT SPONSORS

Baker Botts L.L.P.

Dickinson Wright PLLC

Fish & Richardson P.C.

Vinson & Elkins LLP

SPONSORS

Bracewell LLP

Charles River Associates

Conley Rose, P.C.

DuBois Bryant & Campbell

Duff & Phelps, LLC

Haynes and Boone, LLP

Jackson Walker

Jones Day

McKool Smith

Norton Rose Fulbright

Ocean Tomo, LLC

Pillsbury Winthrop Shaw Pittman LLP

Thompson & Knight LLP

Wilson Sonsini Goodrich & Rosati

Winstead PC

Winston & Strawn LLP