

Strategies for Protecting AI Inventions

25th Annual Advanced Patent Law Institute (live webcast)

November 6, 2020

Matt Osterhaus

Shareholder, Fletcher Yoder PC

FLETCHER YODER

1

Agenda

- AI overview
- Aspects of AI to include in claims
- Patent subject-matter eligibility for AI claims
- Recent PTAB decisions relating to AI claims

Focus of these slides are (1) inventions that embody an advance in the field of AI and (2) inventions that apply AI to a field other than AI.

2

FLETCHER YODER

2

AI Overview

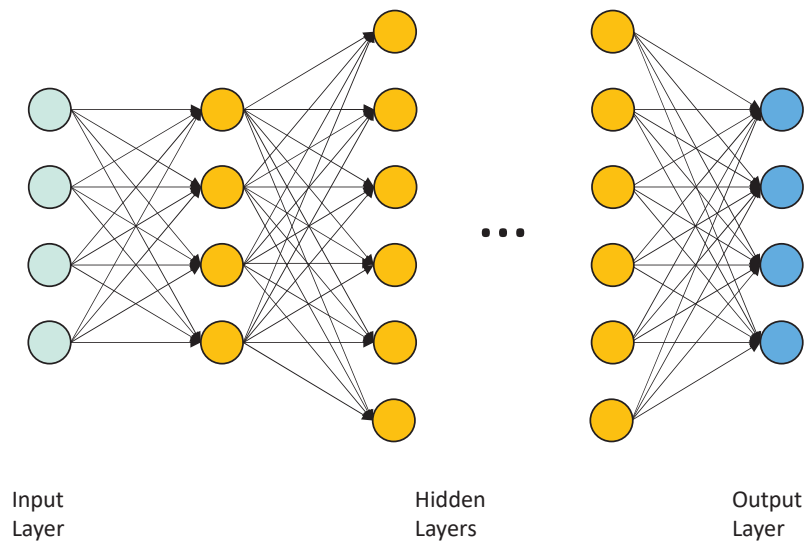


3

FLETCHER YODER

3

Neural Network Model

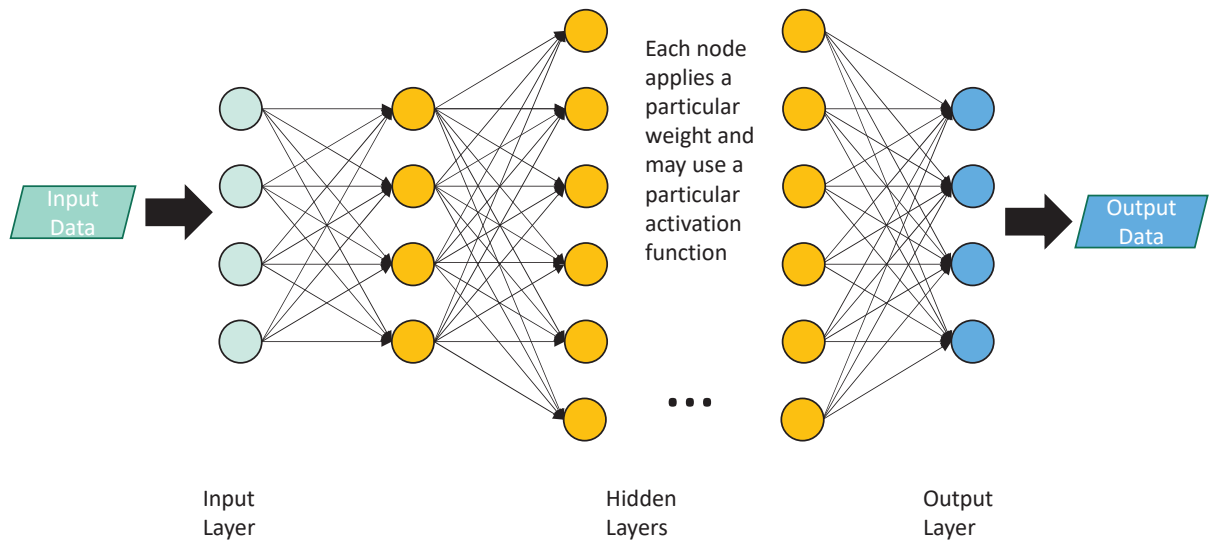


4

FLETCHER YODER

4

Neural Network Model

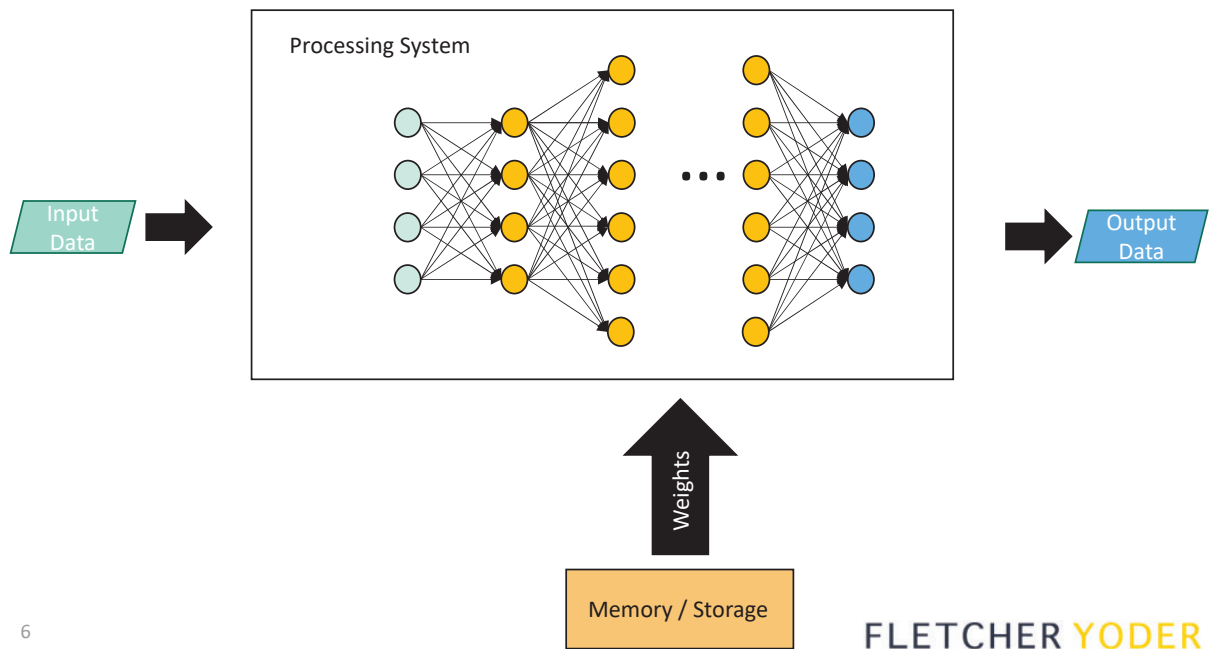


5

FLETCHER YODER

5

Neural Network Model



6

FLETCHER YODER

6

Find the full text of this and thousands of other resources from leading experts in dozens of legal practice areas in the [UT Law CLE eLibrary \(utcle.org/elibrary\)](https://utcle.org/elibrary)

Title search: Strategies for Protecting AI Inventions

Also available as part of the eCourse

[2020 Advanced Patent Law \(Austin\) eConference](#)

First appeared as part of the conference materials for the
25th Annual Advanced Patent Law Institute session
"AI Claims"